



■ Features :

- AC input range selectable by switch
- Protections: Short circuit / Overload / Over voltage/ Over temperature
- Cooling by free air convection
- Withstand 300vac surge input for 5 second
- Built-in constant current limiting circuit
- 100% full load burn-in test
- LED indicator for power on
- Fixed switching frequency at 90KHz
- Low cost,high reliability
- 2 years warranty

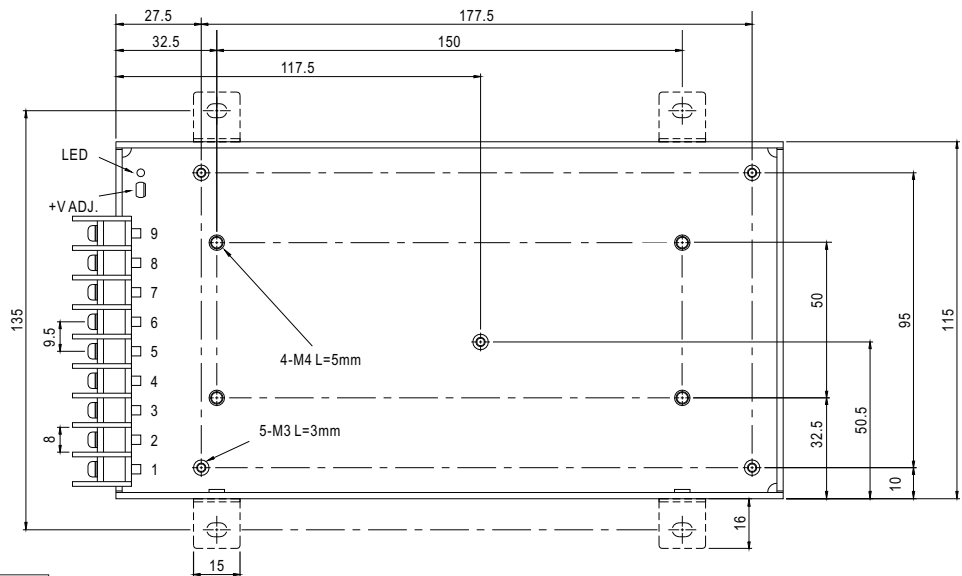
SPECIFICATION



| MODEL | SE-200-3.3 | SE-200-5 | SE-200-7.5 | SE-200-12 | SE-200-15 | SE-200-24 | SE-200-27 | SE-200-36 | SE-200-48 | | |
|--------------|--|---|-------------|-------------|----------------|--------------|--------------|----------------|--------------|--------------|--|
| OUTPUT | DC VOLTAGE | 3.3V | 5V | 7.5V | 12V | 15V | 24V | 27V | 36V | 48V | |
| | RATED CURRENT | 40A | 40A | 27A | 17A | 14A | 8.8A | 7.8A | 5.9A | 4.4A | |
| | CURRENT RANGE | 0 ~ 40A | 0 ~ 40A | 0 ~ 27A | 0 ~ 17A | 0 ~ 14A | 0 ~ 8.8A | 0 ~ 7.8A | 0 ~ 5.9A | 0 ~ 4.4A | |
| | RATED POWER | 132W | 200W | 202.5W | 204W | 210W | 211.2W | 210.6W | 212.4W | 211.2W | |
| | RIPPLE & NOISE (max.) Note.2 | 150mVp-p | 150mVp-p | 150mVp-p | 150mVp-p | 150mVp-p | 150mVp-p | 200mVp-p | 240mVp-p | 240mVp-p | |
| | VOLTAGE ADJ. RANGE | 2.97 ~ 3.7V | 4.5 ~ 5.6V | 6 ~ 9V | 10 ~ 13.5V | 13.5 ~ 18V | 20 ~ 26.4V | 26 ~ 32V | 32 ~ 40V | 41 ~ 56V | |
| | VOLTAGE TOLERANCE Note.3 | ±2.0% | ±2.0% | ±2.0% | ±1.0% | ±1.0% | ±1.0% | ±1.0% | ±1.0% | ±1.0% | |
| | LINE REGULATION | ±0.5% | ±0.5% | ±0.5% | ±0.5% | ±0.5% | ±0.5% | ±0.5% | ±0.5% | ±0.5% | |
| | LOAD REGULATION | ±1.5% | ±1.0% | ±1.0% | ±0.5% | ±0.5% | ±0.5% | ±0.5% | ±0.5% | ±0.5% | |
| | SETUP, RISE TIME | 1000ms, 50ms/230VAC 1000ms,50ms/115VAC at full load | | | | | | | | | |
| HOLD UP TIME | 20ms/230VAC 16ms/115VAC at full load | | | | | | | | | | |
| INPUT | VOLTAGE RANGE Note.4 | 90 ~ 132VAC / 180 ~ 264VAC by switch | | | | 254 ~ 370VDC | | | | | |
| | FREQUENCY RANGE | 47 ~ 63Hz | | | | | | | | | |
| | EFFICIENCY (Typ.) | 75% | 79% | 82% | 85% | 85% | 87% | 88% | 89% | 89% | |
| | AC CURRENT | 4.5A/115VAC | | 2.5A/230VAC | | | | | | | |
| | INRUSH CURRENT (max.) | 40A/115VAC | | 55A/230VAC | | | | | | | |
| | LEAKAGE CURRENT | <3.5mA / 240VAC | | | | | | | | | |
| PROTECTION | OVER LOAD | 105 ~ 150% rated output power Protection type : Constant current limiting, recovers automatically after fault condition is removed | | | | | | | | | |
| | OVER VOLTAGE | 3.8 ~ 4.9V | 5.75 ~ 7.0V | 9.4 ~ 10.9V | 13.8 ~ 16.2V | 18 ~ 21V | 27.6 ~ 32.4V | 33.7 ~ 39.2V | 41.4 ~ 46.8V | 57.6 ~ 67.2V | |
| | OVER TEMPERATURE | 95°C ±5°C (3.3V); 100°C ±5°C (5V); 90°C ±5°C (7.5V); 85°C ±5°C (12~24V); 80°C ±5°C (27~36V); 75°C ±5°C (48V) (TSW1) Detect on case Protection type : Shut down O/P voltage, recovers automatically after temperature goes down | | | | | | | | | |
| ENVIRONMENT | WORKING TEMP. | -20 ~ +50°C (Refer to output load derating curve) | | | | | | | | | |
| | WORKING HUMIDITY | 20 ~ 90% RH non-condensing | | | | | | | | | |
| | STORAGE TEMP., HUMIDITY | -20 ~ +85°C, 10 ~ 95% RH | | | | | | | | | |
| | TEMP. COEFFICIENT | ±0.03%/°C (0 ~ 50°C) | | | | | | | | | |
| | VIBRATION | 10 ~ 500Hz, 5G 10min./1cycle, 60min. each along X, Y, Z axes | | | | | | | | | |
| SAFETY | SAFETY STANDARDS | UL60950-1 approved | | | | | | | | | |
| | WITHSTAND VOLTAGE | I/P-O/P:3KVAC | | | I/P-FG:1.5KVAC | | | O/P-FG:0.5KVAC | | | |
| | ISOLATION RESISTANCE | I/P-O/P, I/P-FG, O/P-FG:100M Ohms/500VDC / 25°C / 70% RH | | | | | | | | | |
| OTHERS | MTBF | 271.9K hrs min. MIL-HDBK-217F (25°C) | | | | | | | | | |
| | DIMENSION | 215*115*50mm (L*W*H) | | | | | | | | | |
| | PACKING | 0.93Kg; 12pcs/12Kg/0.92CUFT | | | | | | | | | |
| NOTE | <ol style="list-style-type: none"> 1. All parameters NOT specially mentioned are measured at 230VAC input, rated load and 25°C of ambient temperature. 2. Ripple & noise are measured at 20MHz of bandwidth by using a 12" twisted pair-wire terminated with a 0.1uf & 47uf parallel capacitor. 3. Tolerance : includes set up tolerance, line regulation and load regulation. 4. Please connect positive pole of input voltage with mark "L" of terminal block, connect negative pole of input voltage with mark "N" of terminal block, using DC voltage for input voltage. | | | | | | | | | | |

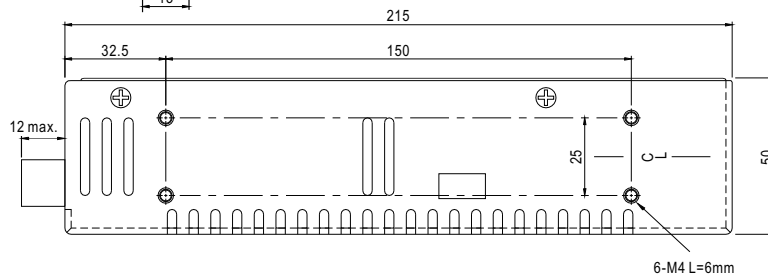
Mechanical Specification

Case No. 912E Unit:mm



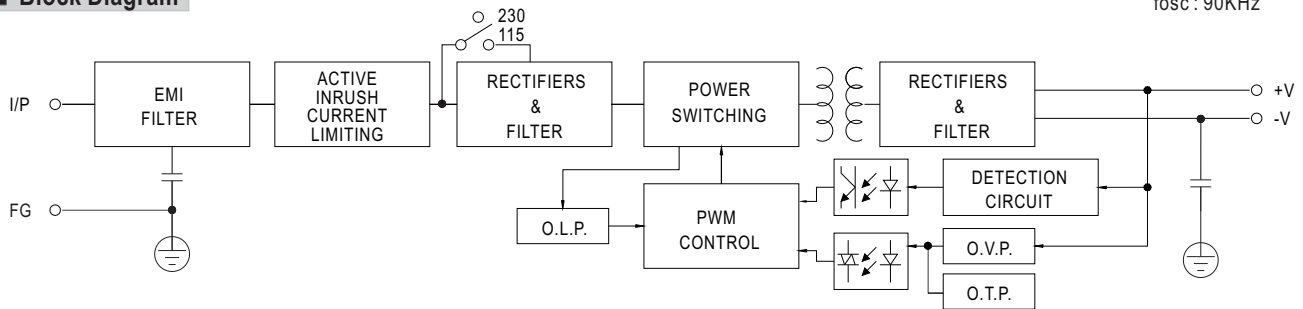
Terminal pin number assignment :

| Pin No. | Assignment | Pin No. | Assignment |
|---------|------------|---------|--------------|
| 1 | AC/L | 4~6 | DC OUTPUT -V |
| 2 | AC/N | 7~9 | DC OUTPUT +V |
| 3 | FG | | |

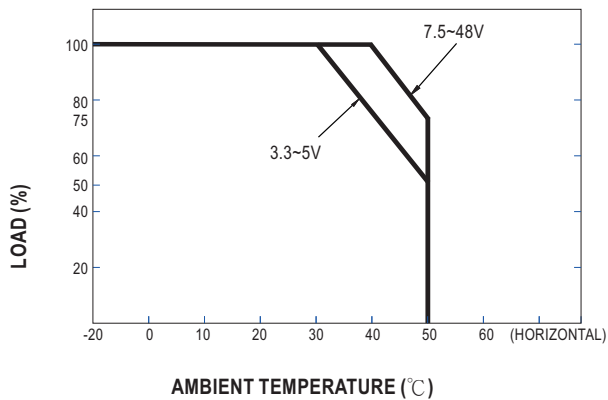


Block Diagram

fosc : 90KHz



Derating Curve



Static Characteristics

